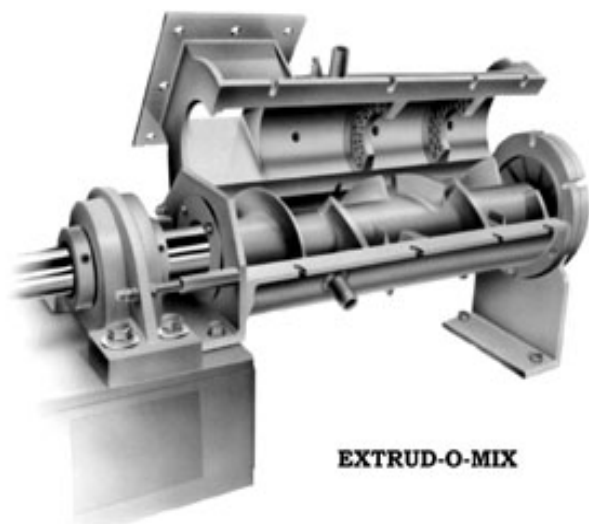


Case study:**Continuous mixing of potato starch**

Application :
Ingredients (Feed) :
Requirements :
Capacity :
Solution :

Continuous **blending**
Potato flakes (50%), water (48%), additives to mix the ingredients (dough ingredients) to produce a homogeneous mixture
8,615 kg/h
EM-15

**EXTRUD-O-MIX**

This is a perfect solution for high shear mixing of food additives with liquids.

The high energy input and constant mixing enabling to process sticky mixtures.
The increased liquid content of this product requires good agitation of the product.